



**PRIME SHIELD**

UPVC WINDOW & DOOR SOLUTIONS

M/S AARYAV INSPIRA IN  
LIG-22, LAKE VIEW COLONY  
TARAMONDAL SADAR,  
GORAKHPUR - 273001

EMAIL:- aaryavinspiragkp@gmail.com  
Phone: 98306 88238, 98311 88238

Website:- [www.meghagroup.co.in](http://www.meghagroup.co.in)



**PRIME SHIELD**

UPVC WINDOW & DOOR SOLUTIONS



A NIGHT-GLORY AT  
**YOUR WINDOW**  
KEEPS YOUR MORNING  
**CLEAN AND BRIGHT**

# PRIME SHIELD CASEMENT – 60 MM

SI. No.	NAME & DETAILS	CODE NO	SECTIONAL VIEW	REINFORCEMENT	WEIGHT /METER	PACK QTY.	LENGTH (MTRS)
1	CASEMENT WINDOW OUTER FRAME	PSP 60-01 A-R			1.000	4	5.9
2	CASEMENT OUTWARD WINDOW SASH	PSP 60-09 T-R			1.300	4	5.9
3	CASEMENT OUTWARD DOOR SASH	PSP 60-13			1.570	2	5.9
4	T - MULLION	PSP 60-02 A-R			1.050	4	5.9
5	CASEMENT INWARD WINDOW SASH	PSP 60-08 T-R			1.230	4	5.9
6	CASEMENT INWARD DOOR SASH	PSP 60-23			1.585	2	5.9
7	CASEMENT SINGLE GLAZING BEAD - 5/6 MM	PSP 60-03			0.325	18	5.9
8	CASEMENT DOUBLE GLAZING BEAD - 24 MM	PSP 60-12			0.219	15	5.9

\* Single Rubber co extrusion weight add 0.045 kg /m &

\*\* double rubber co -extrusion, weight add 0.09 kg/m & # Specific order

# PRIME SHIELD DOOR – 60 MM

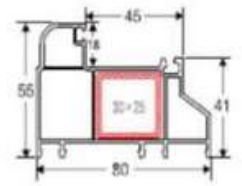
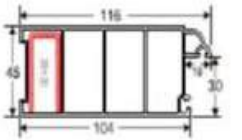
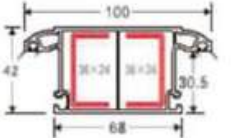
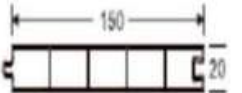
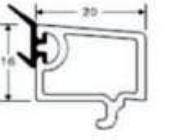

SI. No.	NAME & DETAILS	CODE NO	SECTIONAL VIEW	REINFORCEMENT	WEIGHT /METER	PACK QTY.	LENGTH (MTRS)
74	60MM DOOR OUTER FRAME	PSP-CW-361			0.680	6	5.9
75	60 MM DOOR SASH	PSP-CW-362			0.770	4	5.9
76	60 MM DOOR MULLION	PSP-CW-363			0.790	6	5.9
77	20/150 MM DOOR PANNEL	PSP-CW-364			0.900	8	5.9
78	80 MM DOOR SINGLE GLAZING BEAD- 5 MM	PSP-CW-365			0.220	30	5.9
79	80 MM DOOR DOUBLE GLAZING BEAD -20 MM	PSP-CW-366			0.150	30	5.9

\* Single Rubber co extrusion weight add 0.045 kg /m &

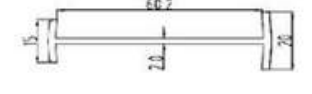
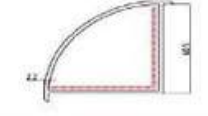
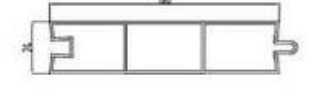
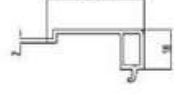

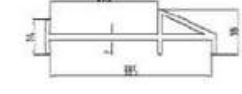

\*\* double rubber co -extrusion, weight add 0.09 kg/m & # Specific order




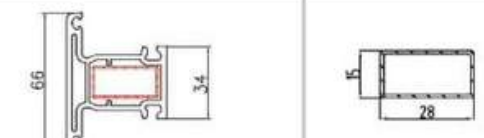
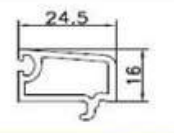
## PRIME SHIELD DOOR – 60 MM

SI. No.	NAME & DETAILS	CODE NO	SECTIONAL VIEW	REINFORCEMENT	WEIGHT /METER	PACK QTY.	LENGTH (MTRS)
68	80 MM DOOR OUTER FRAME	PSP-CW-351			0.900	6	5.9
69	80 MM DOOR SASH	PSP-CW-352			1.050	4	5.9
70	80 MM DOOR MULLION	PSP-CW-353			0.984	6	5.9
71	20/150 MM DOOR PANEL	PSP-CW-354			0.900	8	5.9
72	80 MM DOOR DOUBLE GLAZING BEAD -20 MM	PSP-CW-355			0.220	30	5.9
73	80 MM DOOR DOUBLE GLAZING BEAD -24 MM	PSP-CW-356			0.150	30	5.9

## PRIME SHIELD CASEMENT – 60 MM

SI. No.	NAME & DETAILS	CODE NO	SECTIONAL VIEW	REINFORCEMENT	WEIGHT /METER	PACK QTY.	LENGTH (MTRS)
9	SMALL COUPLER (60-60 MM)	PSP 60-44			0.300	10	5.9
10	90 JOINTER (60-60 MM)	PSP 60-14A			0.780	4	5.9
11	DOOR PANEL (20 MM)	PSP 60-06			0.580	5	5.9
12	LOUVER CLIP	PSP 60-21			0.330	10	5.9
13	LOUVER	PSP 60-20B			0.235	20	5.9
14	60-80 JOINTER	PST 88-14			0.460	10	5.9
15	CASEMENT FLY MULLION	PSP 60-17C			1.080	4	5.9

## PRIME SHIELD CASEMENT – 42 MM

16	CASEMENT VENTILATOR FRAME	PSP-CW-601			0.840	6	5.9
17	T - MULLION	PSP-CW-073			0.800	4	5.9
18	SINGLE GLAZE BEAD - 5/6 MM	PSP-CW-069			0.264	15	5.9



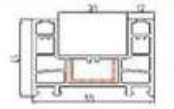
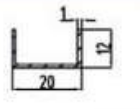
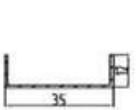
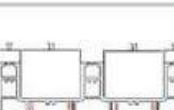
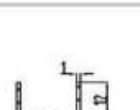
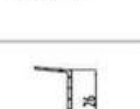

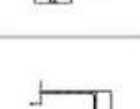
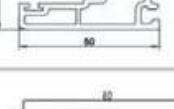
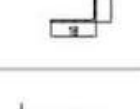
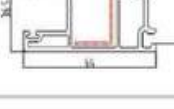
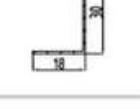
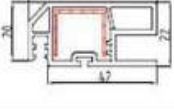
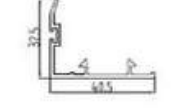
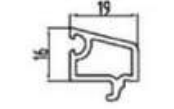
\* Single Rubber co extrusion weight add 0.045 kg /m &

\*\* double rubber co -extrusion, weight add 0.09 kg/m & # Specific order

\* Single Rubber co extrusion weight add 0.045 kg /m &

\*\* double rubber co -extrusion, weight add 0.09 kg/m & # Specific order

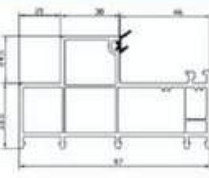

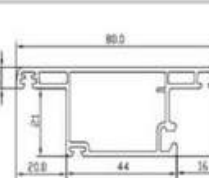
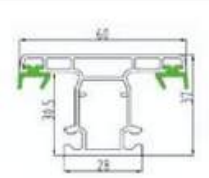
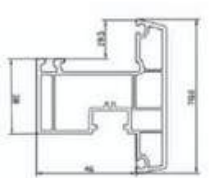
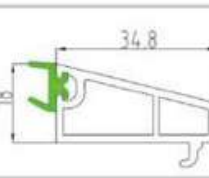
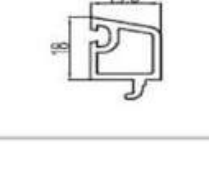
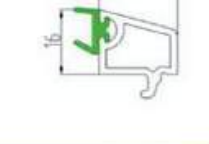
## PRIME SHIELD SLIDING - 55 - 80 - 98 MM

SI. No.	NAME & DETAILS	CODE NO	SECTIONAL VIEW	REINFORCEMENT	WEIGHT /METER	PACK QTY.	LENGTH (MTRS)
19	2-T OUTER FRAME	PSP-ES-207			0.840	6	5.9
20	2.5-T OUTER FRAME	PSP-ES-201			1.147	4	5.9
21	3-T OUTER FRAME	PSP-ES-208			1.310	4	5.9
22	55 MM WINDOW SASH	PSP-ES-202	* 		0.760	6	5.9
23	66 MM WINDOW SASH	PSP-ES-212	* 		0.830	6	5.9
24	80 MM DOOR SASH	PST-80-20	* 		0.970	4	5.9
25	MESH SASH	PST-80-05			0.470	12	5.9
26	SASH COVER FOR 55MM WINDOW SASH	PSP-ES-204			0.220	15	5.9
27	SINGLE GLAZING BEAD 5 MM	PSP-ES-205	* 		0.225	24	5.9
28	ECONOMY SASH MULLION	PSP-ES-209			0.670	8	5.9

\* Single Rubber co extrusion weight add 0.045 kg /m &

\*\* double rubber co -extrusion, weight add 0.09 kg/m & # Specific order

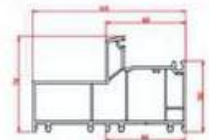
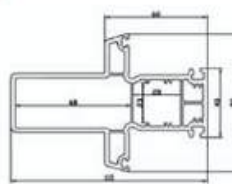
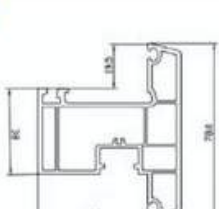
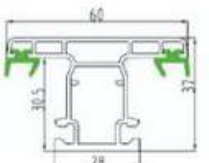
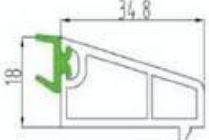
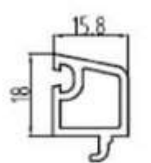
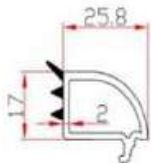
## PRIME SHIELD VILLA WINDOW - 97 MM

SI. No.	NAME & DETAILS	CODE NO	SECTIONAL VIEW	REINFORCEMENT	WEIGHT /METER	PACK QTY.	LENGTH (MTRS)
60	97 MM VILLA WINDOW OUTER FRAME	PSP-VL-146			1.300	4	5.9
61	VILLA WINDOW MULLION	PSP-VL-147	** 		1.300	4	5.9
62	97 MM VILLA WINDOW MULLION	PSP-VL-148	* 		0.670	8	5.9
63	ECONOMY SASH MULLION	PSP-ES-209			0.670	8	5.9
64	CASEMENT WINDOW SASH	PSP-CW-102	** 		0.300	18	5.9
65	CASEMENT SINGLE GLAZE BEAD -5 MM	PSP-CW-108			0.325	18	5.9
66	CASEMENT DOUBLE GLAZING BEAD -24 MM	PSP-CW-109	* 		0.219	15	5.9
67	SL. SINGLE GLAZING BLEED - 5/6 MM	PSP-ES-205			0.225	30	5.9

\* Single Rubber co extrusion weight add 0.045 kg /m &

\*\* double rubber co -extrusion, weight add 0.09 kg/m & # Specific order

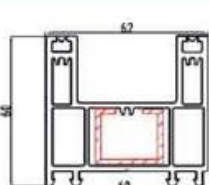
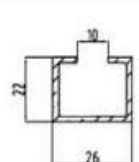
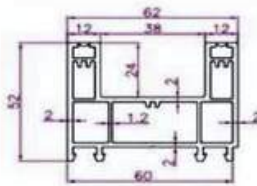
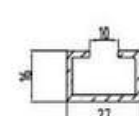
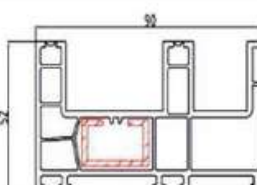
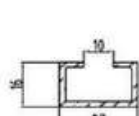
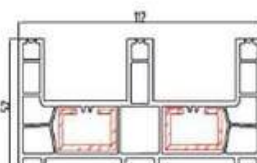
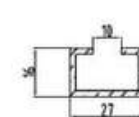
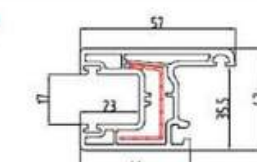
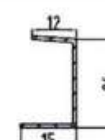
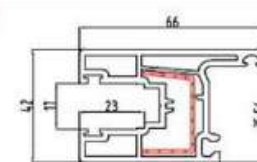

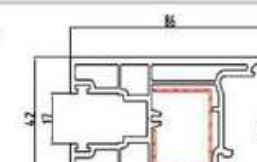

## PRIME SHIELD VILLA WINDOW - 115 MM

SI. No.	NAME & DETAILS	CODE NO	SECTIONAL VIEW	REINFORCEMENT	WEIGHT /METER	PACK QTY.	LENGTH (MTRS)
53	115 MM VILLA WINDOW OUTER FRAME	PSP-VL-141			1.680	4	5.9
54	115 MM VILLA WINDOW MULLION	PSP-VL-142			1.680	4	5.9
55	CASEMENT OUTWARD WINDOW SASH	PSP-CW-102			1.300	4	5.9
56	ECONOMY SASH - MULLION	PSP-ES-209			0.670	8	5.9
57	CASEMENT SINGLE GLAZE BEAD 5 MM	PSP-60-03-R			0.325	18	5.9
58	CASEMENT DOUBLE GLAZING BEAD-24MM	PSP-CW-1009			0.219	15	5.9
59	115 MM VILLA MESH BEAD	PSP-VL-143			0.280	10	5.9

\* Single Rubber co extrusion weight add 0.045 kg /m &

\*\* double rubber co -extrusion, weight add 0.09 kg/m & # Specific order

## PRIME SHIELD SLIDING - 60-90-110 MM

SI. No.	NAME & DETAILS	CODE NO	SECTIONAL VIEW	REINFORCEMENT	WEIGHT /METER	PACK QTY.	LENGTH (MTRS)
29	2-T OUTER FRAME	PST-62-01A			1.200	4	5.9
30	2-T OUTER FRAME	PSP-SL-151A			1.090	4	5.9
31	2.5-T OUTER FRAME	PST-88-01T			1.390	4	5.9
32	3-T OUTER FRAME	PST-112-01			1.680	2	5.9
33	57 MM WINDOW SASH	PST 88-06			0.880	6	5.9
34	66 MM WINDOW SASH	PST-77-02-R			1.045	6	5.9
35	86 MM DOOR SASH	PST-88-02-R			1.325	4	5.9

\* Single Rubber co extrusion weight add 0.045 kg /m &

\*\* double rubber co -extrusion, weight add 0.09 kg/m & # Specific order

## PRIME SHIELD SLIDING - 60-90-110 MM

SI.No.	NAME & DETAILS	CODE NO	SECTIONAL VIEW	REINFORCEMENT	WEIGHT /METER	PACK QTY.	LENGTH (MTRS)
36	MESH / SCREEN SASH	PST 80-05			0.470	4	5.9
37	SASH COVER FOR 57 MM SASH	PST 77-11A			0.215	15	5.9
38	SASH COVER FOR 56 MM SASH	PST 88-03			0.270	15	5.9
39	SASH COVER FOR 55 MM SASH	PST 77-11A			0.235	15	5.9
40	SINGLE GLAZING BEAD-5/6 MM	PST 77-08-R	*		0.264	15	5.9
41	DOUBLE GLAZING BEAD 20 MM	PST 88-21-R	*		0.145	15	5.9
42	SASH CONNECTOR	PST 77-10			0.284	10	5.9
43	MESH MULLION	PST 80-34			0.450	9	5.9
44	PREMIUM SASH MULLION	PST 77-03	**		0.800	10	5.9
45	HALF/ADD ON/ SINGLE TRACK	PSP SL-174			0.382	10	5.9

\* Single Rubber co extrusion weight add 0.045 kg /m &

\*\* double rubber co -extrusion, weight add 0.09 kg/m & # Specific order

## PRIME SHIELD MONORAIL SYSTEM - 67 MM

SI.No.	NAME & DETAILS	CODE NO	SECTIONAL VIEW	REINFORCEMENT	WEIGHT /METER	PACK QTY.	LENGTH (MTRS)
46	MONORAIL FRAME	PSP-CW-171	*		1.170	6	5.9
47	MONORAIL MULLION	PSP-CW-176	**		0.695	8	5.9
48	55MM WINDOW SASH	PSP-ES-202			0.760	6	5.9
49	66 MM WINDOW SASH	PSP-ES-212	*		0.830	6	5.9
50	80 MM DOOR SASH	PSP-ES-203	*		0.970	4	5.9
51	CASEMENT SINGLE GLAZE BEAD-5/6 MM	PST-80-15A-R			0.225	24	5.9
52	SASHCOVER FOR 55 MM	PSP-ES-204			0.220	10	5.9

\* Single Rubber co extrusion weight add 0.045 kg /m &

\*\* double rubber co -extrusion, weight add 0.09 kg/m & # Specific order